

# Medicine Wing Establishment

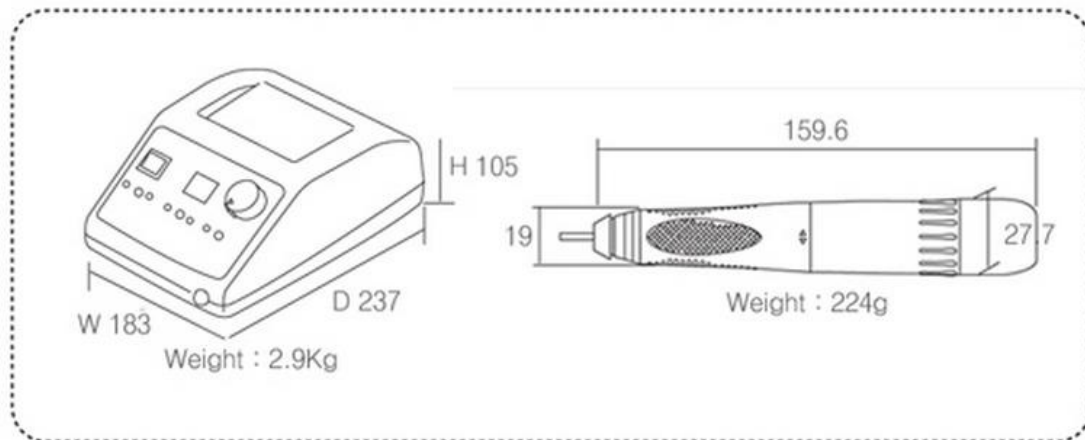
Trade and maintenance of medical devices

SAESHIN

## FORTE 100 / FORTE 100III MAX 50,000 rpm



- Desktop type
  - Ergonomic design
  - Excellent durability
- 
- RPM : MAX 50,000 rpm / Torque : 7.8 N.cm
  - Input : 100~120V, 220~240V (50/60Hz)
  - Output : 230w
  - Lowest noise and vibration, Maximal efficiency
  - Built-in micro processor
  - Foot speed control
  - Auto-cruise (controlling by foot)



Dental LAB



# Medicine Wing Establishment

Trade and maintenance of medical devices

SAESHIN

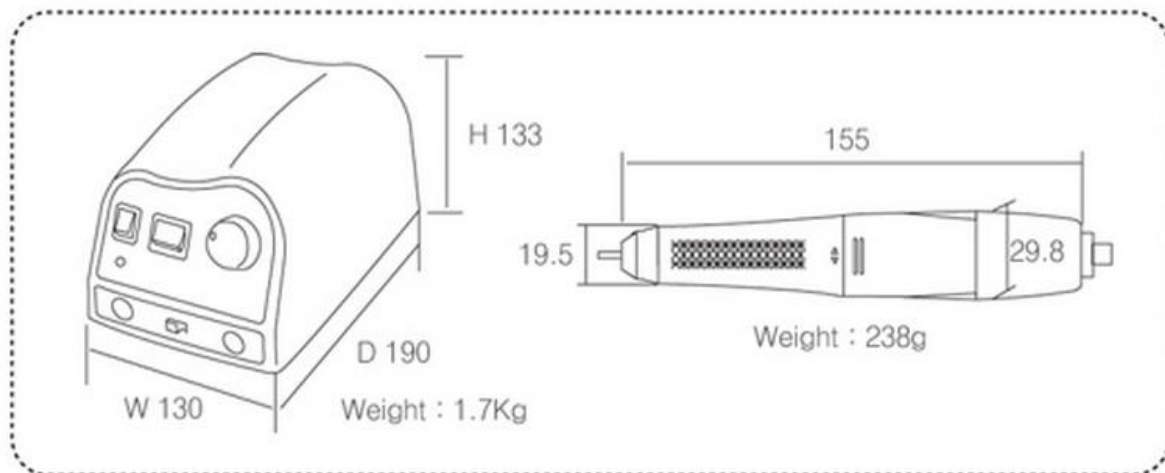


## STRONG 206 / 103L MAX 45,000 rpm



- RPM : MAX 45,000 rpm
- Torque : 450 gf.cm
- Input : 100V, 110/230V, 240V (50/60Hz)
- Output : DC0-32V

- 
- Double output system
  - Non stage speed system with high torque
  - Hand/Foot speed control system
  - Right & Left turning ability
  - Automatic overload protection system



*Dental LAB*



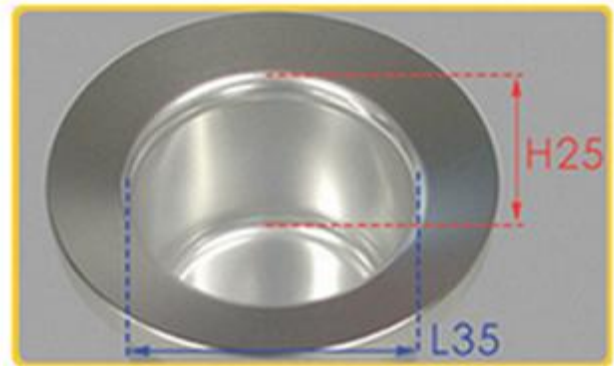
# Medicine Wing Establishment

Trade and maintenance of medical devices

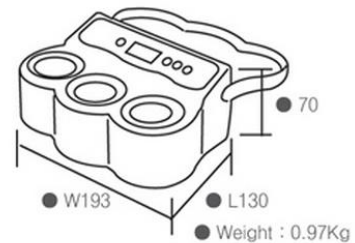


## LabMuse wp-3

**BIG SIZE**



- Accurate temperature adjustment & quick thermal conductivity
- Usable for long time without any change in physical quality of wax
- Excellent corrosion resistance and abrasion resistance for pot
- Easy cleaning of the pot made of special material
- Celsius and Fahrenheit display function
- Different temperature adjustment of each pot for efficient work (WP-3)
- Big size of pots for work convenience (WP-3)



LABMUSE wp-3			
INPUT POWER SOURCE	AMP	FUSE	TEMPERATURE
AC100V 50/60Hz	60A	5A	
AC110 ~ 230V 50/60Hz	60A	2A	30~130°C
AC240V 50/60Hz	60A	2A	

Dental LAB



# Medicine Wing Establishment

Trade and maintenance of medical devices

SAESHIN

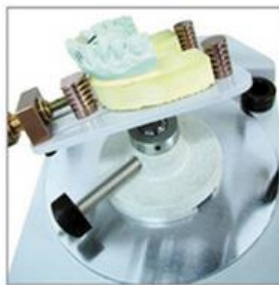


## SURVEYOR-II



- High quality precision instrument for milling, drilling, setting attached models, and tapping
- Setting attached models, and tapping
- Smooth and micro-fit arm
- Surveyor holder using for Exclusive handpiece (FORTE300SII / STRONG 102LSII)
- Easy movement of fixing vise and 360° rotation
- Surveyor pin 8 pieces are included.

The newly designed bolt in handpiece firmly fixes the handpiece to Surveyor



Dental LAB



# Medicine Wing Establishment

Trade and maintenance of medical devices



OPTION HP



FORTE300 + FORTE300S || **Brushless type**



STRONG206 + STRONG 102LS || **Brushless type**

PRODUCT SPECIFICATION

WELGHT	L	W	H
4Kg	203.5	170	330



Surbeyor pin 8 pieces

- wax trimmer
- carbon marker sheath
- 0° taper tool
- 2° taper tool
- 6° taper tool
- 10 gage
- 20 gage
- 30 gage

Dental LAB

